

## YX2880

### 65V<sub>IN</sub>, 65V<sub>OUT</sub>, *Bidirectional Buck-Boost GaN Controller*

## PRODUCT INTRODUCTION

The YX2880 is a synchronous bi-directional buck-boost GaN controller suited for driving Gallium Nitride (GaN) power transistors in highly efficient power converters. It supports a wide input and output ranges up to 65V with seamless transitions between buck, buck-boost and boost mode. The YX2880 features bi-directional operations, which can change the power path bidirectionally by DIR pin. It provides programmable input current limit and output current limit functions with output instant current monitoring through ISMON. The YX2880 integrates both high side and low side gate drivers with UVLO protections. It also supports adjustable dead time control for optimal turn on/off of power switches to reduce switching loss for high efficiency.

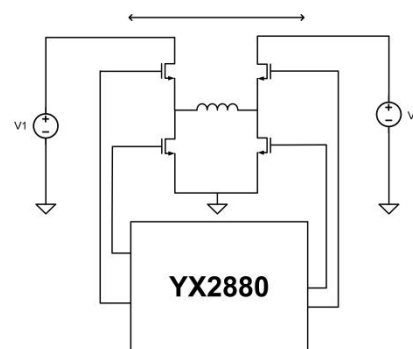
The YX2880 supports ultra-wide switching frequency range from 50KHz up to 3MHz with frequency set pin (RT). It also features external compensation, programmable soft-start and power good reporting. The YX2880 is available in 32-lead QFN package.

## FEATURES

- Wide VIN: 2.7V to 65V, Wide VOUT: 2V to 65V
- **Bi-directional buck-boost operation**
- Up to 98% power efficiency
- Ultra-wide switching frequency: 50KHz to 3MHz
- Load current monitoring by ISMON
- CC/CV regulation capability
- 5V driver voltage for GaN FETs
- Gate driver: 0.6Ω pull-down, 1.2Ω pull-up
- Drive supply rail UVLO protection
- Adjustable dead time control
- Integrated high accuracy (±1%) 1.8V VREF
- 32-Lead side-wettable QFN Package

## APPLICATIONS

- Bidirectional Buck-Boost DC-DC supplies
- USB-C PD and Chargers
- Power Interrupt Protection System
- Consumer, Industrial and Automotive



Simplified Circuit Diagram