

YX7013 – 40V, 150mA, Low Quiescent Current LDO

1 Features

- 3.5V to 40V Input Range
- 25 μ A Quiescent Supply Current
- Stable With low-value output ceramic capacitor ($\geq 0.47\mu$ F)
- 150mA specified current
- Output $\pm 2\%$ Accuracy
- Specified current limit
- Thermal Shutdown
- -40°C to $+125^{\circ}\text{C}$ Specified Junction Temperature Range
- Available in DFN8 (3mmx3mm) Package

2 Applications

- Industrial/Automotive Applications
- Portable/Battery-Powered Equipment
- Ultra-Low Power Microcontrollers
- Cellular Handsets
- Medical Imaging

3 Description

The YX7013 is a low power linear regulator that supplies power to systems with high voltage batteries. It includes a wide 3.5V to 40V input range, low dropout voltage and low quiescent supply current. The low quiescent current and low dropout voltage allow operations at extremely low power levels. Therefore, the YX7013 are ideal for the low power microcontrollers and the battery-powered equipments.

The regulator output current is internally limited and the device is protected against over-load, output short and over-temperature conditions.

The YX7013 is available in DFN8 (3mmx3mm) package.

4 Device Information

PART NUMBER	PACKAGE	BODY SIZE (NOM)
YX7013	DFN8	3mmX3mm

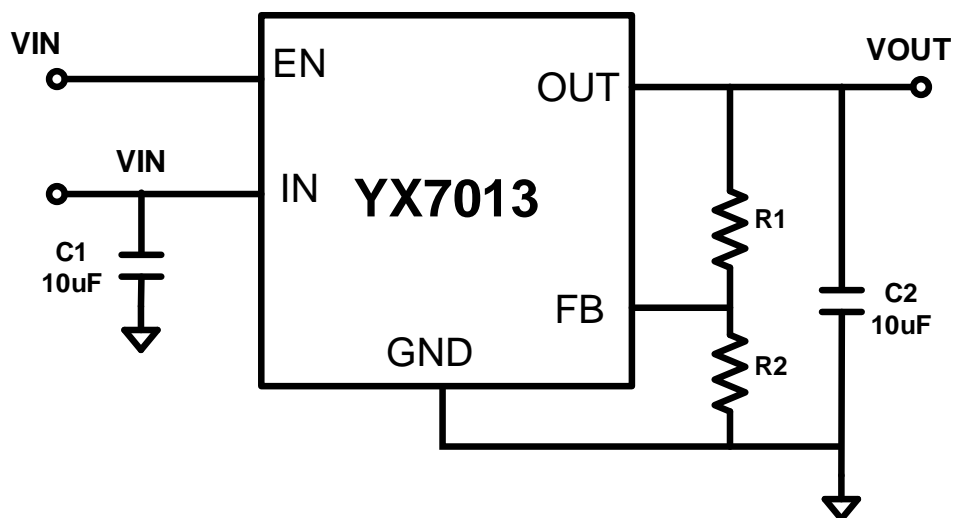
5 Typical Application

Figure 1. Typical Application